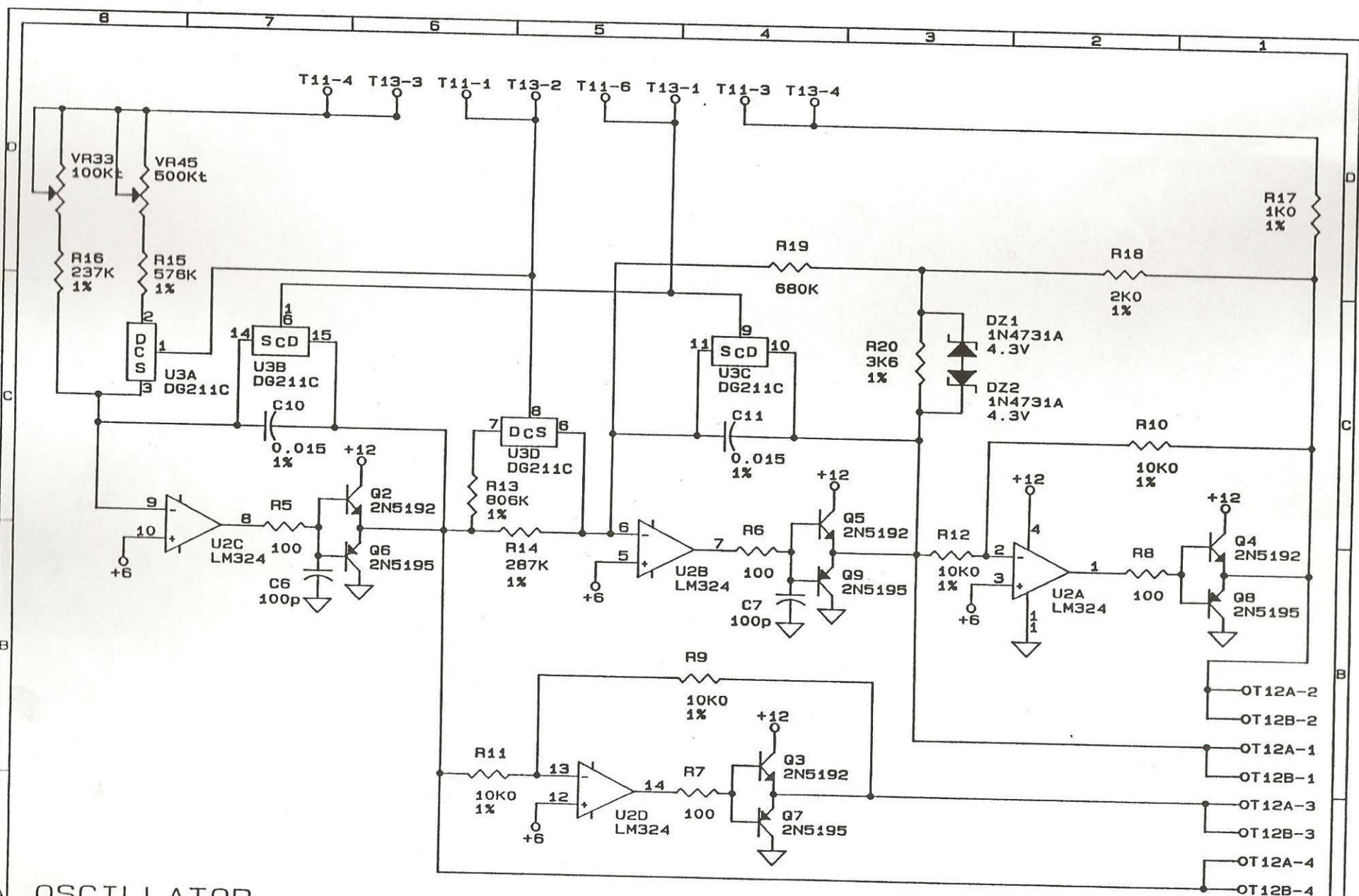


All resistors at 1/4W, 5%, otherwise specified
 All capacitors in uF

ORACLE AUDIO CORPORATION		
Title		
SWITCH CIRCUIT MKIV - DELPHI		
Size	Document Number	REV
A	DKIV9101.SWH	01
Date:	December 2, 1991	Sheet 1 of 1
	3	2

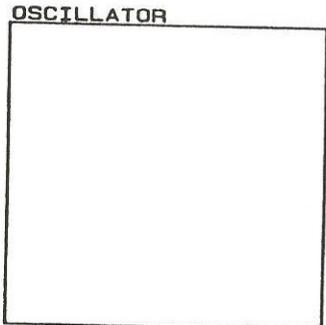
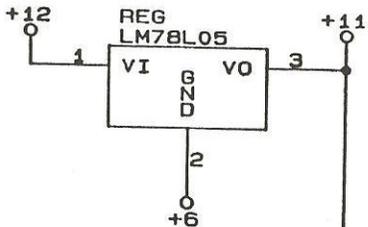
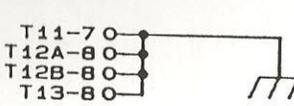
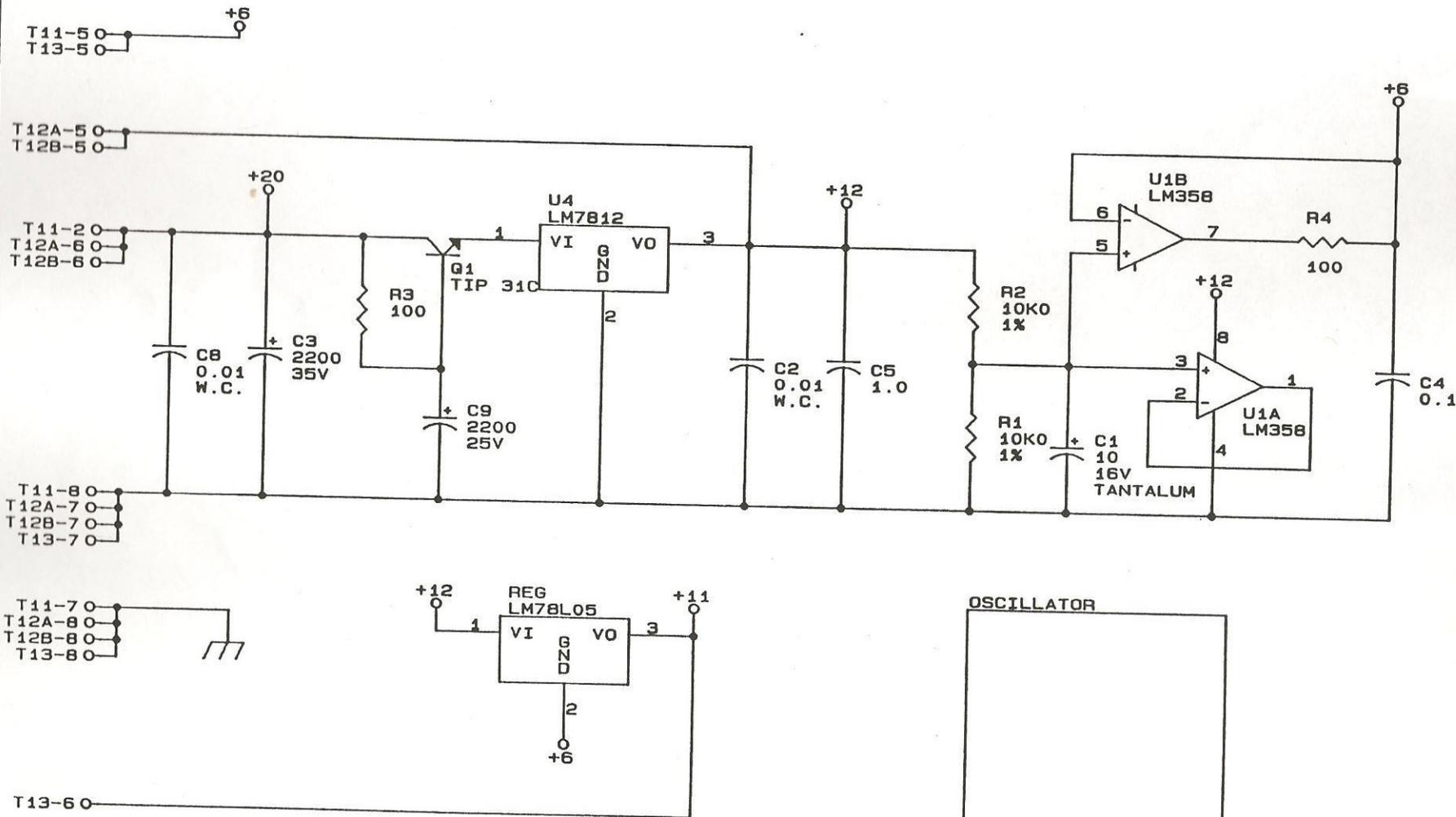


OSCILLATOR

- NOTES:
- All resistors at 1/4W. 5%, otherwise specified
 - All capacitors in uF
 - BURGER LAHR SYNCHRONOUS MOTOR, RSM 50/8 SG, 6V, 60Hz
 - Pulley 18mm (709mil)
 - 33 1/3rpm = 37Hz, 6.0Vrms - 45rpm = 50Hz, 6.0Vrms

ORACLE AUDIO CORPORATION		
Title		
MOTOR CIRCUIT - DELPHI MKIV		
Size	Document Number	REV
A	DKIV9101.OSC - 6Vrms	01
Date:	December 2, 1991	Sheet 2 of 2
	3	2 1

67

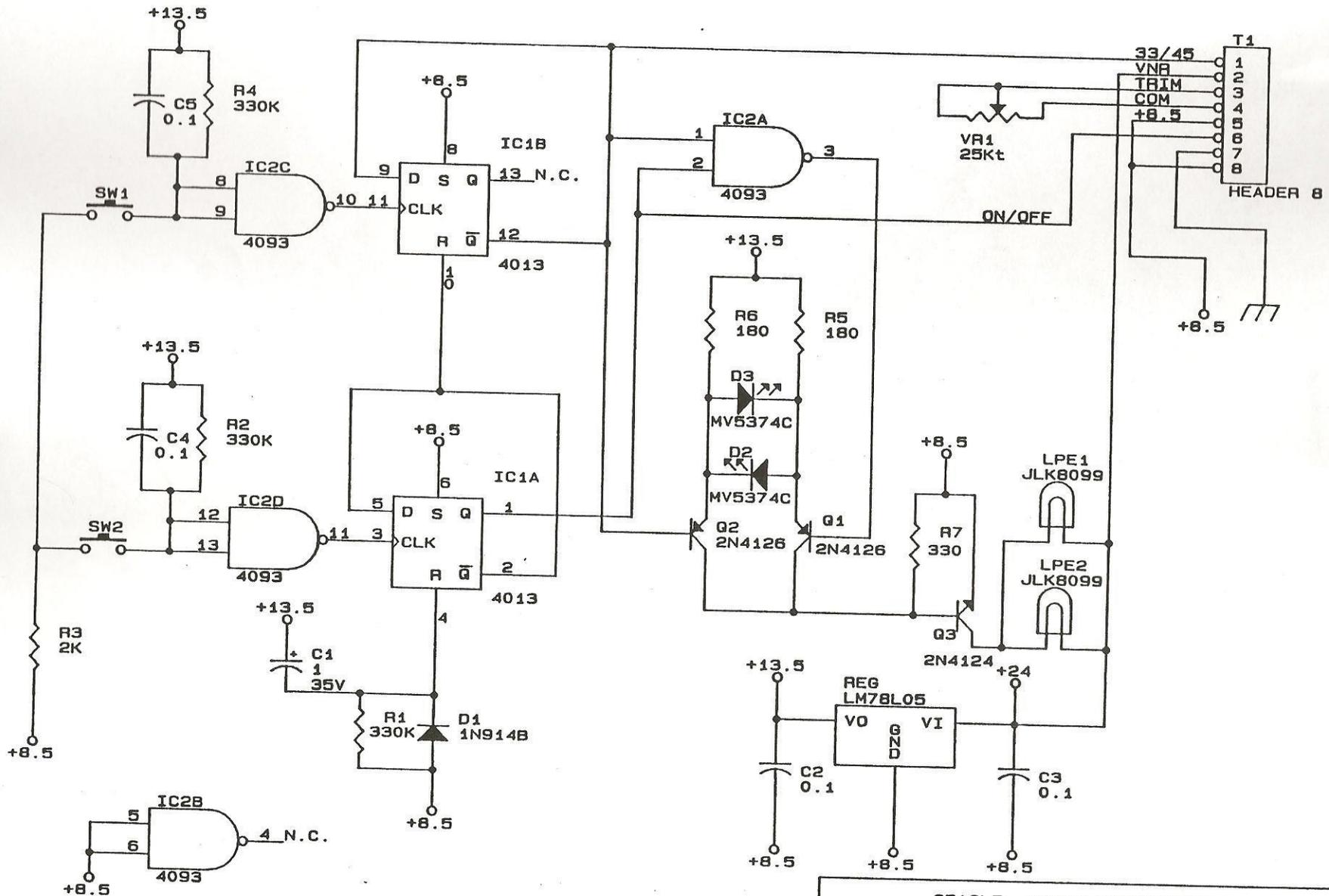


ALIMENTATION

- NOTES:
- All resistors at 1/4W, 5%, otherwise specified
 - All capacitors in uF
 - BURGER LAHR SYNCHRONOUS MOTOR, RSM 50/8 SG, 6V, 60Hz
 - Pulley 18mm (709mil)
 - 33 1/3rpm = 37Hz, 6.0Vrms - 45rpm = 50Hz, 6.0Vrms

ORACLE AUDIO CORPORATION		
Title		
MOTOR CIRCUIT - DELPHI MKIV		
Size	Document Number	REV
A	DKIV9101.SCH - 6Vrms	01
Date:	December 3, 1991	Sheet 1 of 2
	3	2 1

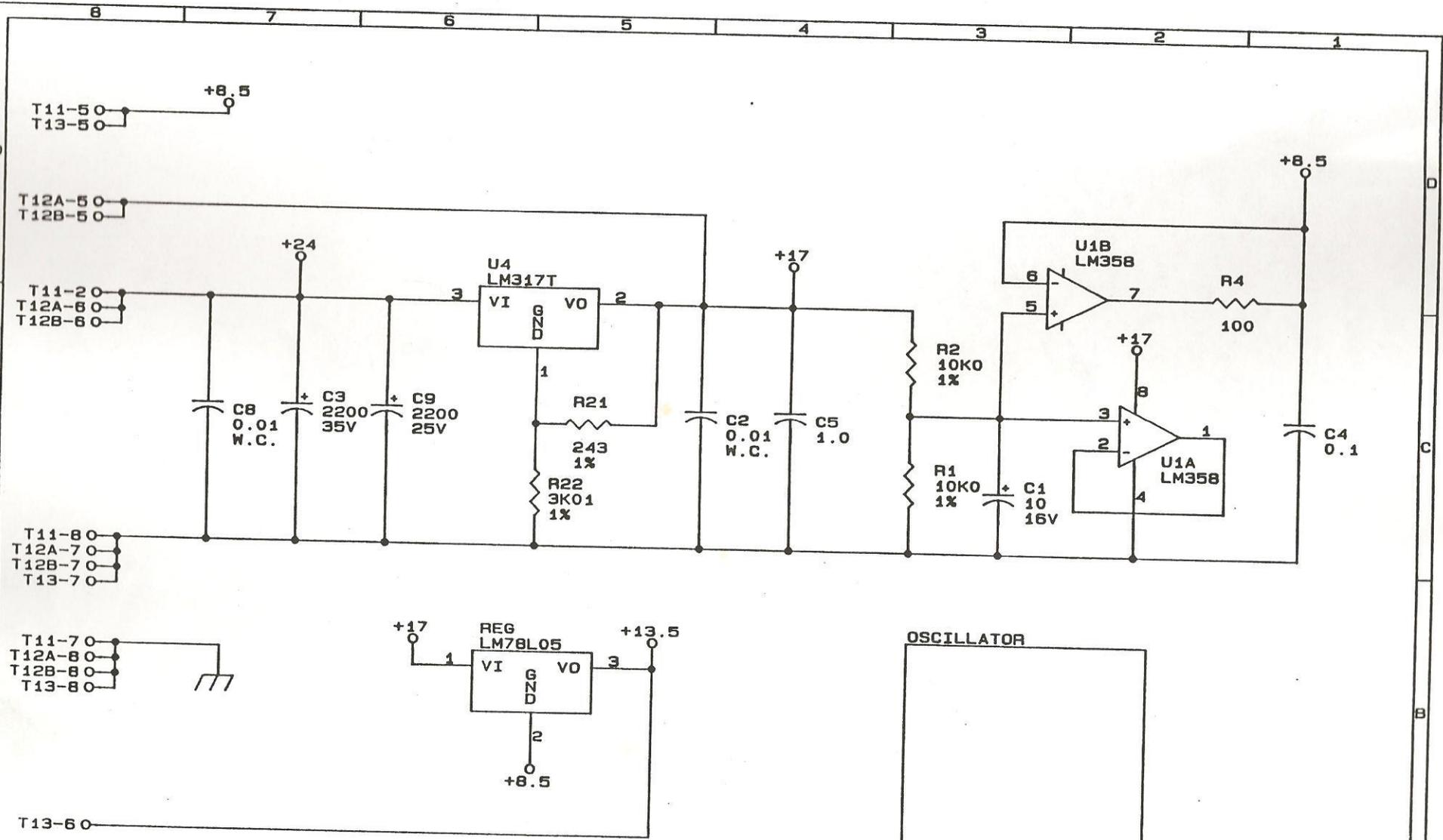
69



All resistors at 1/4W, 5%, otherwise specified
 All capacitors in uF

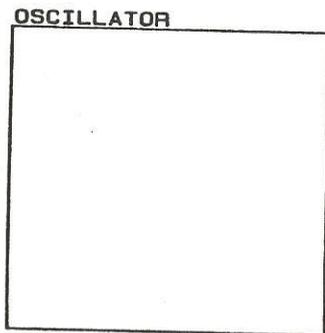
ORACLE AUDIO CORPORATION		
Title		
SWITCH CIRCUIT MKIV - DELPHI		
Size	Document Number	REV
A	DKIV9102.SWH	02
Date:	December 2, 1991	Sheet 1 of 1

Meter
8V



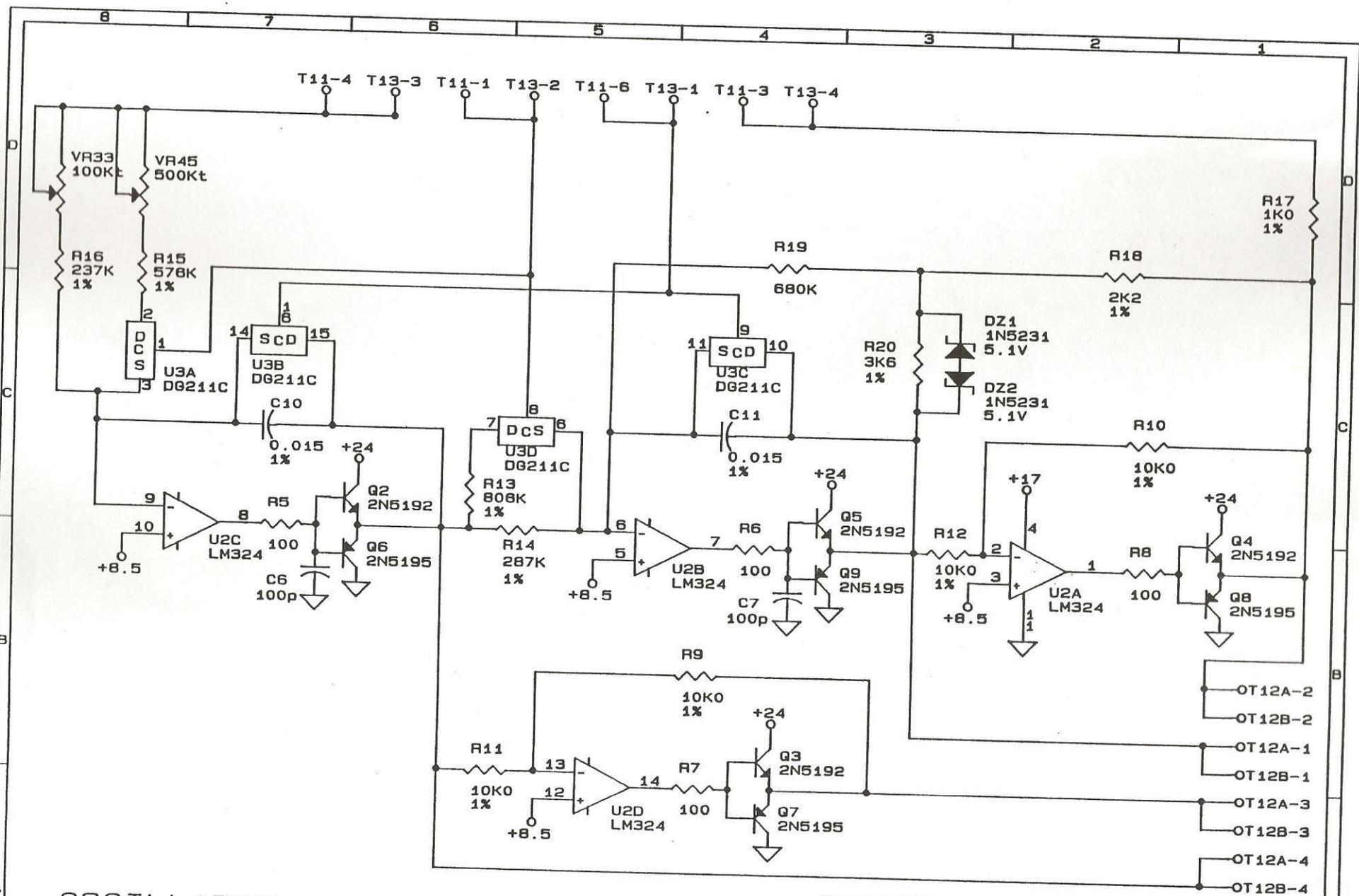
ALIMENTATION

- NOTES:
- All resistors at 1/4W, 5%, otherwise specified
 - All capacitors in uF
 - BURGER LAHR SYNCHRONOUS MOTOR, RSM 50/8 NG, 8V, 35Hz
 - Pulley 18mm (709mil)
 - 33 1/3rpm = 37Hz, 8.0Vrms - 45rpm = 50Hz, 8.0Vrms



ORACLE AUDIO CORPORATION	
Title	
MOTOR CIRCUIT - DELPHI MKIV	
Size	Document Number
A	DKIV9102.SCH - 8Vrms
Date:	December 3, 1991
Sheet	1 of 2
3	2

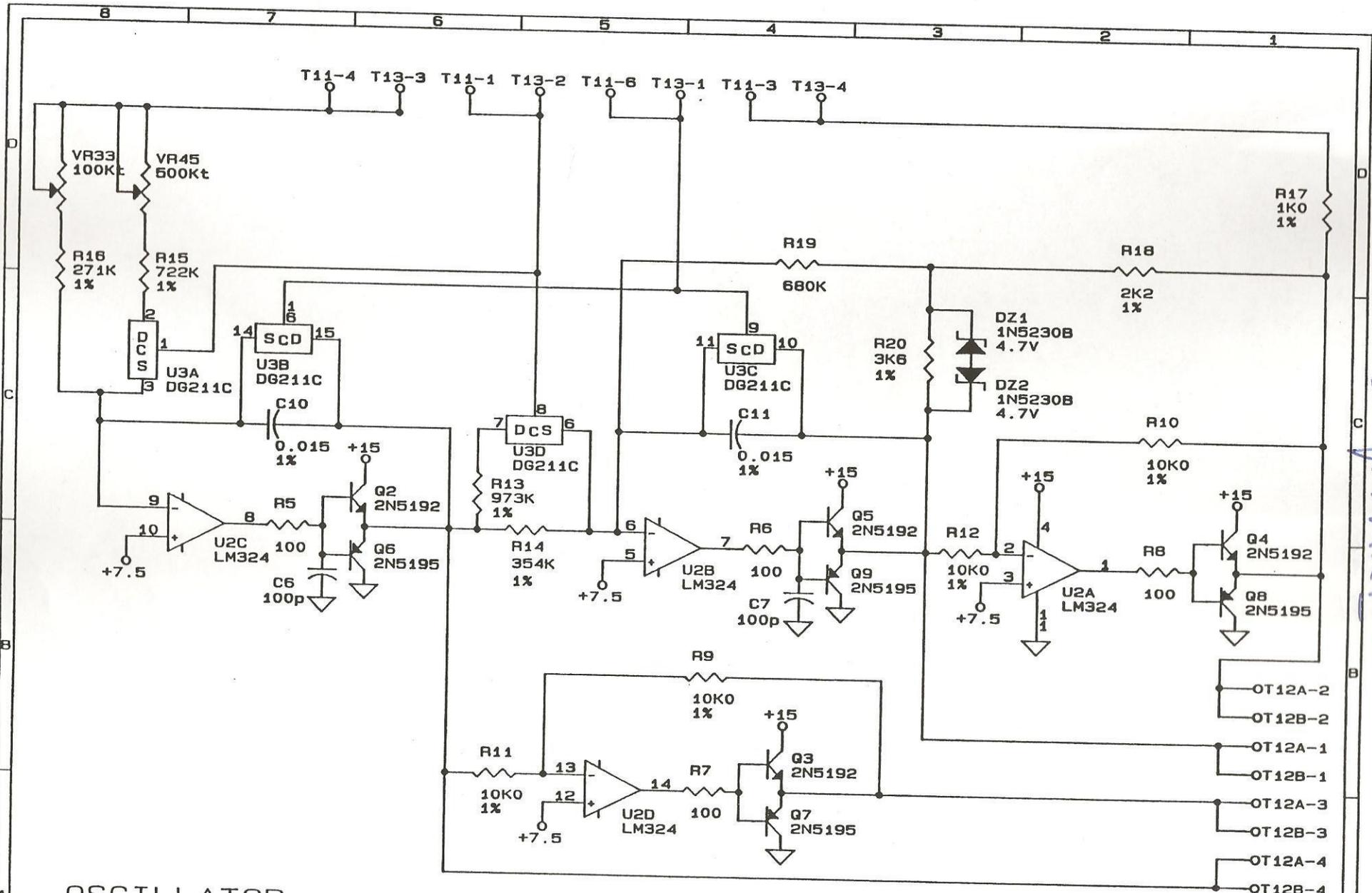
AS



OSCILLATOR

- NOTES:
- All resistors at 1/4W, 5%, otherwise specified
 - All capacitors in uF
 - BURGER LAHR SYNCHRONOUS MOTOR, RSM 50/8 NG, 8V, 35Hz
 - Pulley 18mm (709mil)
 - 33 1/3rpm = 37Hz, 8.0Vrms - 45rpm = 50Hz, 8.0Vrms

ORACLE AUDIO CORPORATION		
Title		
MOTOR CIRCUIT - DELPHI MKIV		
Size	Document Number	REV
A	DKIV9102.OSC - 8Vrms	02
Date:	November 26, 1991	Sheet
3	2	2 of 2

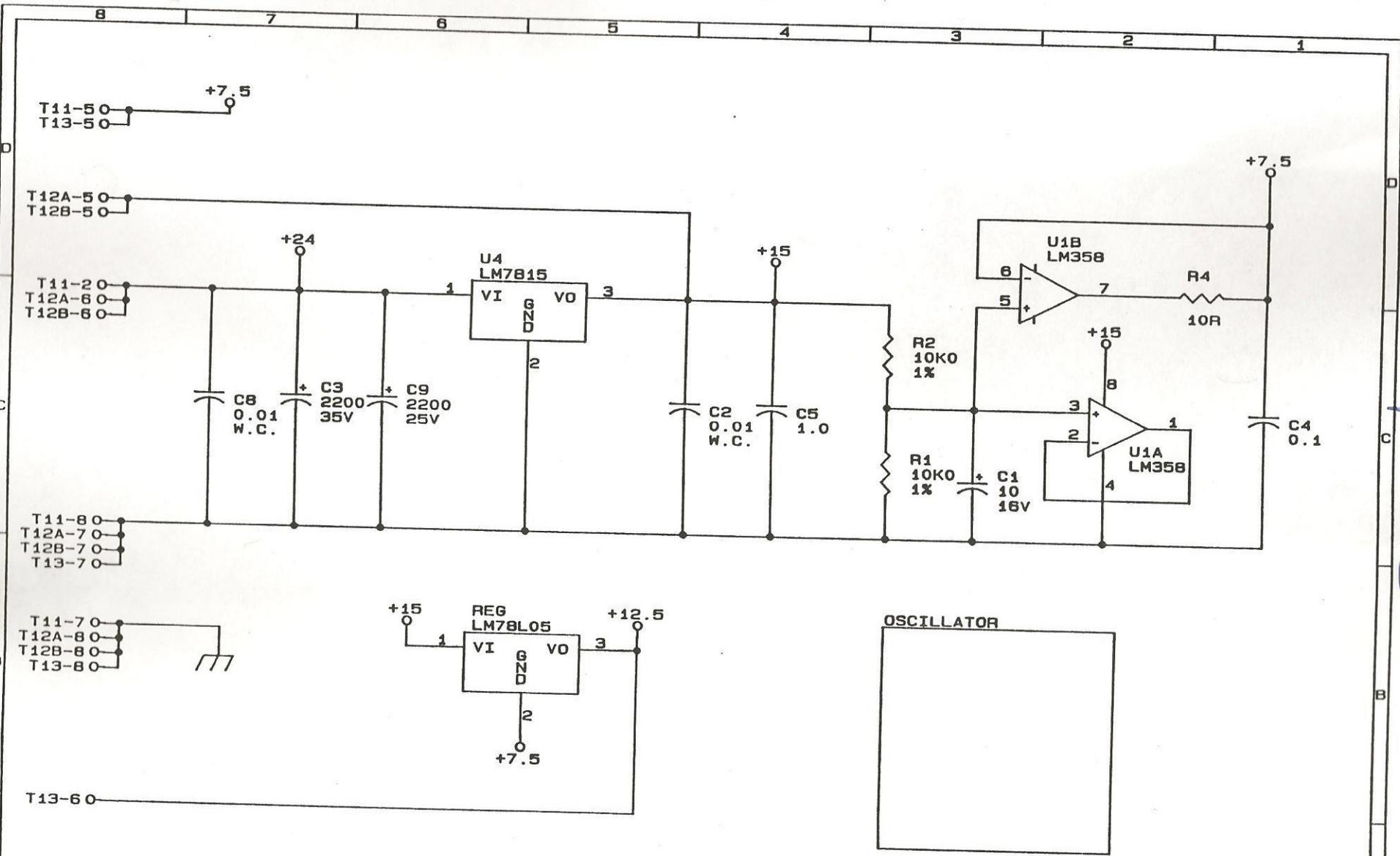


DELPHI MK IV

OSCILLATOR

- NOTES:
- All resistors at 1/4W, 5%, otherwise specified
 - All capacitors in uF
 - BURGER LAHR SYNCHRONOUS MOTOR, RSM 50/8 NG, 8V, 35Hz
 - Pulley 22.5mm (885mil)
 - 33 1/3rpm = 30Hz, 8.0Vrms - 45rpm = 40.5Hz, 8.0Vrms

ORACLE AUDIO CORPORATION		
Title		
MOTOR CIRCUIT - DELPHI MKIV		
Size	Document Number	REV
A	DKIV9103.OSC - 8Vrms	03
Date:	December 2, 1991	Sheet 2 of 2
	3	2 1

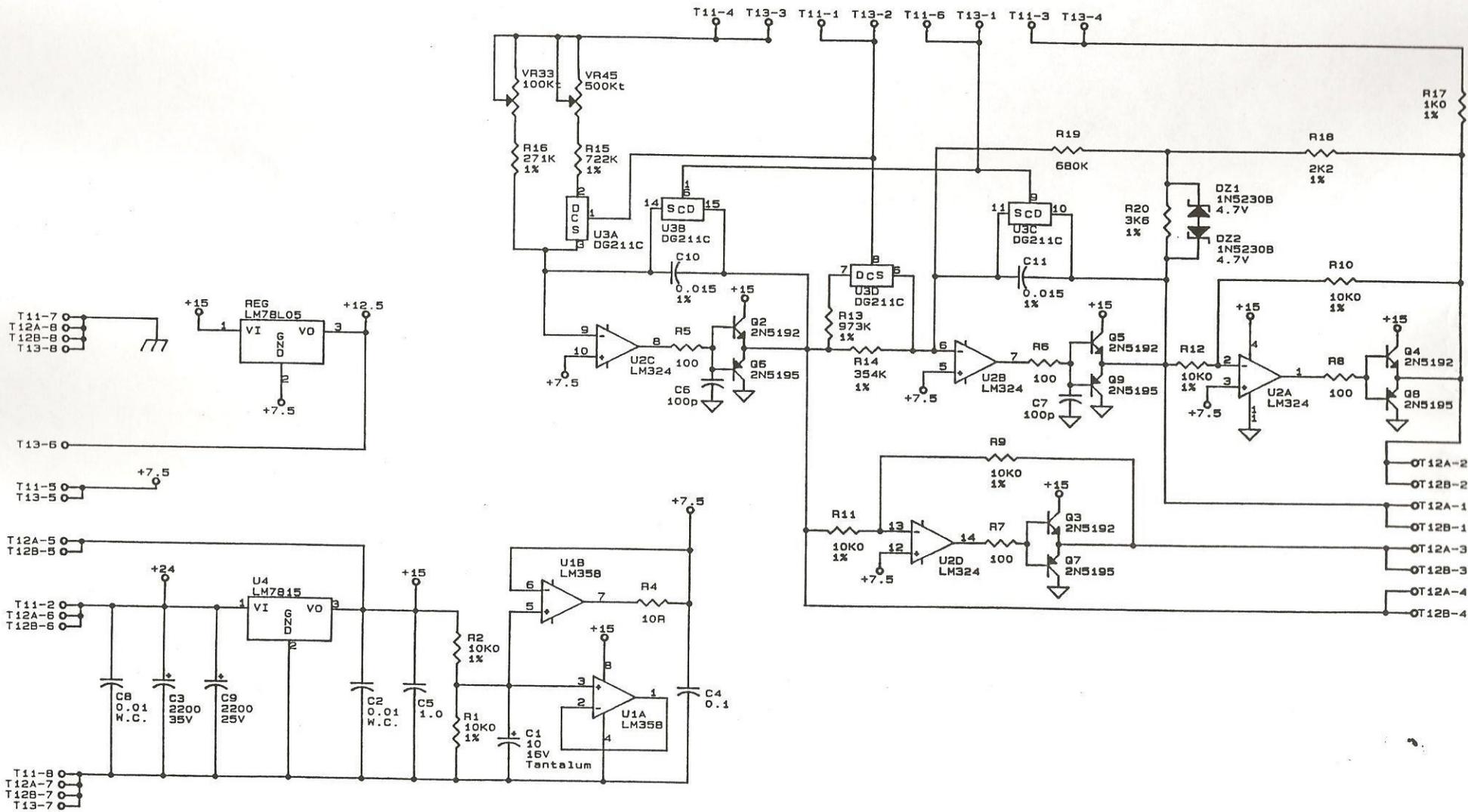


Delphi MKIV

ALIMENTATION

- NOTES:
- All resistors at 1/4W, 5%, otherwise specified
 - All capacitors in uF
 - BURGER LAHR SYNCHRONOUS MOTOR, RSM 50/8 NG, 8V, 35Hz
 - Pulley 22.5mm (885mil)
 - 33 1/3rpm = 30Hz, 8.0Vrms - 45rpm = 40.5Hz, 8.0Vrms

ORACLE AUDIO CORPORATION		
Title		
MOTOR CIRCUIT - DELPHI MKIV		
Size	Document Number	REV
A	DKIV9103.SCH - 8Vrms	03
Date:	November 26, 1991	Sheet 1 of 2
	3	2 1



Delphi MK IV

- NOTES:
- All resistors at 1/4W, 5%, otherwise specified
 - All capacitors in uF
 - BURGER LAHR SYNCHRONOUS MOTOR, RSM 50/8 NG, 8V, 35Hz
 - Pulley 22.5mm (885m11)
 - 33 1/3rpm = 30Hz, 8.0Vrms - 45rpm = 40.5Hz, 8.0Vrms

ORACLE AUDIO CORPORATION	
Title	PREMIERE & DELPHI MKIV V: 03 0Vrms
Size	Document Number
B	DKIV9303.SCH
	REV 00